

# Translucent Polycarbonate (1591 Series)

Plastic



## KEY FEATURES

- Electronic instrument enclosures, designed for mounting printed circuit boards.
- Ideally suited for modern styling or where internal components need to be visible.
- Molded in flame retardant, easy to machine, translucent polycarbonate (material carries a UL flammability rating of 94V-0).
- Integral card guides accept 1.5 mm (0.062") P.C. cards.
- Lap joint construction provides protection against access of dust and splashing water.
- Designed to meet IP54
- Ice blue version is almost totally transparent to blue, white and near white LEDs, readouts & displays.
- Crystal Clear version is almost totally transparent
- IR Red version is almost totally transparent to infrared devices.
- Visit our web site for color & detail photos of each part.
- Lid is secured with M3 x 10 mm Philips machine screws, threaded into tapped integral brass bushings.

## ACCESSORIES



### P.C. Board Card Adaptors

Allows horizontal mounting of P.C. board(s). **See "Accessories Section" for full details!**

- 1591Z6** - Package of 6
- 1591Z50** - Package of 50
- 1591Z100** - Package of 100



### Flange Kits

Mount to either the rear (using glue) or can be attached to the lid using existing lid screws and holes. **See "Accessories Section" for full details!**

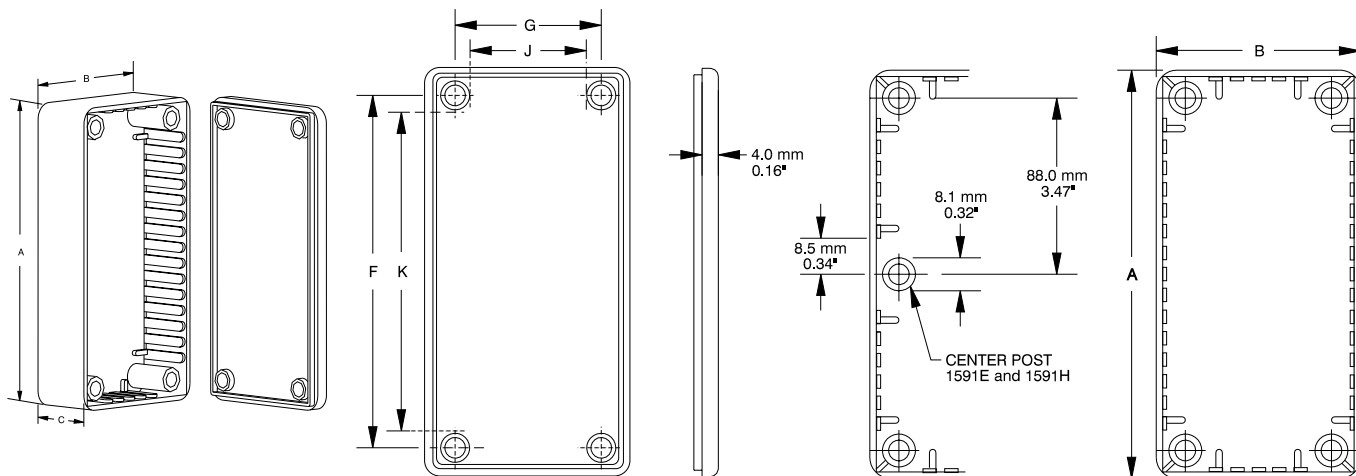


### Replacement Screws

Machine screws, nickel plated, M3 - 0.5 x 10mm  
**1591MS100** - Package of 100

# Translucent Polycarbonate (1591 Series)

Plastic

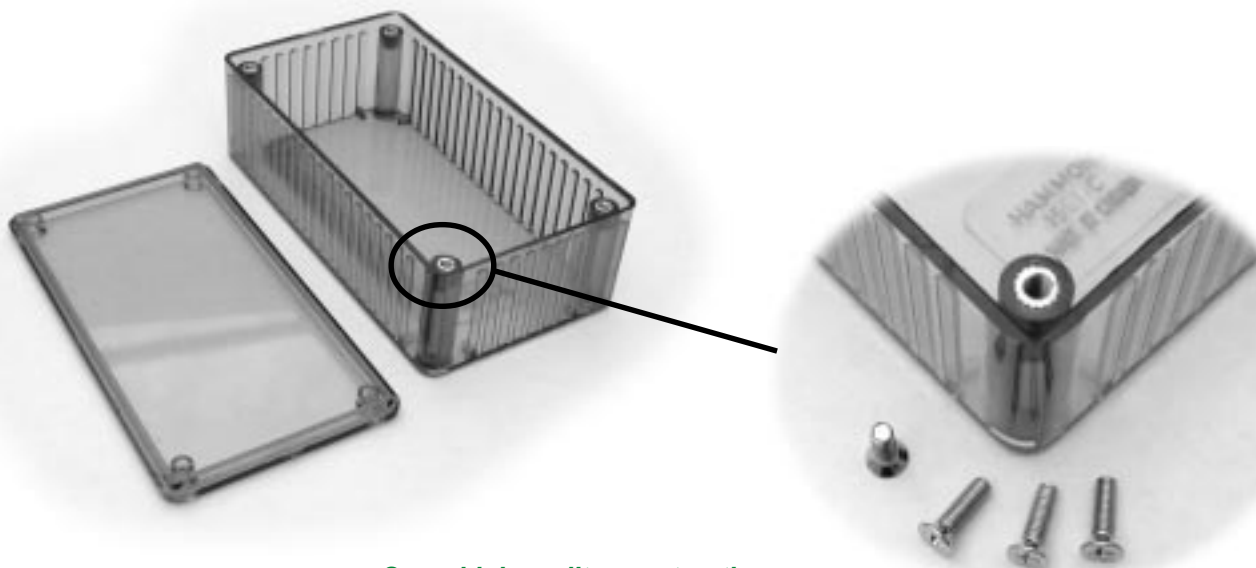


Lid (Inside & Edge View)

Top View

Part Number			Units	Dimensions						P.C. Card Clearance	
Ice Blue	IR Red	Crystal Clear		A	B	C (No Lid)	F	G	J	K	
1591ATBU	1591ATRD	1591ATCL	inch mm	3.9 100	2.0 50	0.8 21	3.4 86	1.4 36	1.1 29	3.1 79	
1591BTBU	1591BTRD	1591BTCL	inch mm	4.4 112	2.4 62	1.1 27	3.9 98	1.9 48	1.6 41	3.5 91	
1591CTBU	1591CTRD	1591CTCL	inch mm	4.7 120	2.6 65	1.4 36	4.2 106	2.0 51	1.7 44	3.9 99	
1591DTBU	1591DTRD	1591DTCL	inch mm	5.9 150	3.2 80	1.8 46	5.4 136	2.6 66	2.3 59	5.0 129	
1591ETBU	1591ETRD	1591ETCL	inch mm	7.5 191	4.3 110	2.2 57	6.9 176	3.8 96	3.5 89	6.6 170	

**NOTES:** - Assembled height = dimension "C" + 0.16" (4.0 mm)  
 - Average wall thickness: 0.06" (1.5 mm)



Same high quality construction as our ABS plastic series (brass inserts & machine screws) for repetitive assembly & disassembly...



**CANADA**  
 Guelph, Ontario (519) 822-2960  
 St. Laurent, Quebec (514) 343-9010  
**USA**  
 Cheektowaga, NY (716) 651-0086

[www.hammondmfg.com](http://www.hammondmfg.com)

**EUROPE**  
 Basingstoke, UK +44 1256 812812

**AUSTRALASIA**  
 Queenstown, SA, Australia +61 8 8240 2244